



## Manual vertical liquid soap dispenser 300 ml stainless steel. Satin finish

### Description

- Manual push button operated soap dispenser.
- Designed to be wall mounted leaving the anchor hidden.
- Anti-theft security cap.
- Durability and ease of cleaning.

### Suggested text for prescription

NOFER soap dispenser, stainless steel AISI 304 satin finish, manually operated for wall mounting with concealed anchoring. Dimensions: 200 height x 60 width x 60 depth (mm).

### Components

- Anti-theft security cap.
- Stainless steel housing in satin finish.

### Maintenance

Stainless steel requires maintenance as dirt over time can damage the chromium (Cr) contained in stainless steel. We recommend a monthly cleaning with a specialized product for stainless steel.

### Technical characteristics

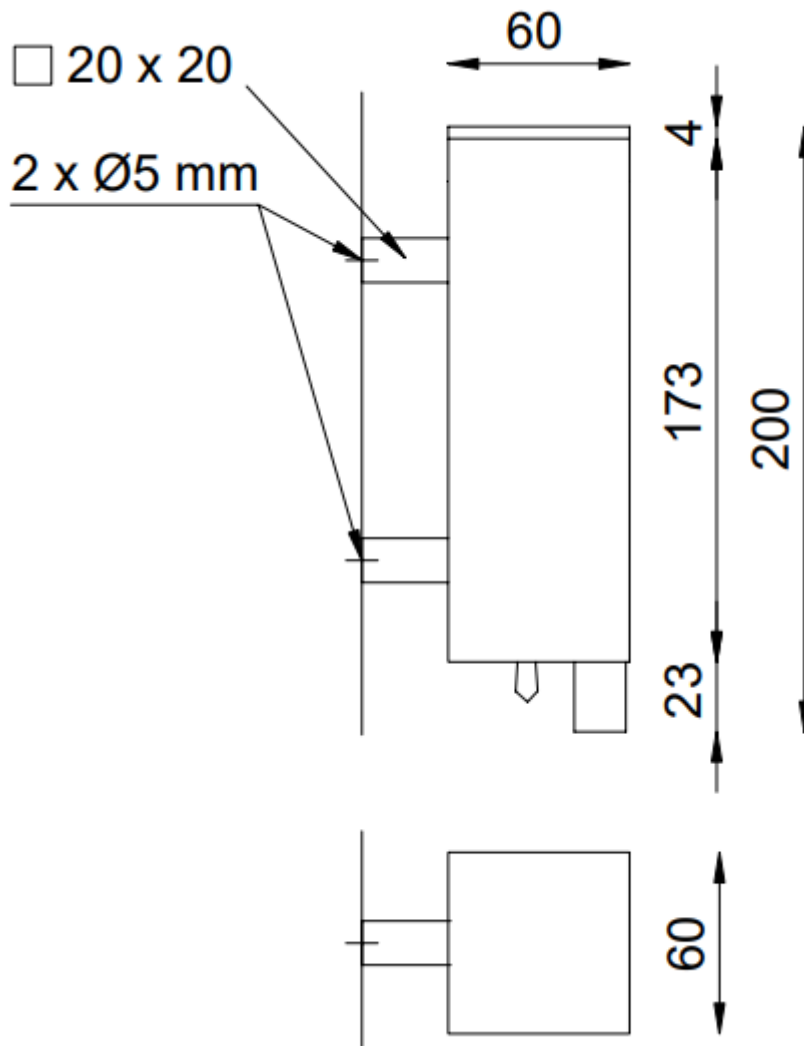
**Material:** AISI 304 stainless steel.

**Finishing:** Satin

**Dimensions:** 200 height x 60 width x 60 depth (mm).

**Capacity:** 300 ml.

### Dimensional drawing



Ctra. Laureà Miró, 385-387  
08980 | Sant Feliu de Llobregat,  
Barcelona - Spain  
T. +34 934 742 423  
F. +34 934 743 548  
nofer@nofer.com  
www.nofer.com

RELATED  
PRODUCTS



03001.06.B



03001.06.S



03001.W

These specifications may be modified and/or amended due to manufacturing requirements.