



## Stainless steel attached hygienic bag dispenser. Polished finish

### Description

- Hygienic bag dispenser.
- Designed for wall mounting.
- Front bag dispenser.
- Stainless steel polished finish.
- Top loading of consumables.
- Fixing screws included.

### Technical characteristics

**Material:** AISI 304 stainless steel

**Finishing:** polished

**Dimensions:** 135 H x 97 W x 25 D (mm)

**Capacity:** 25 bags

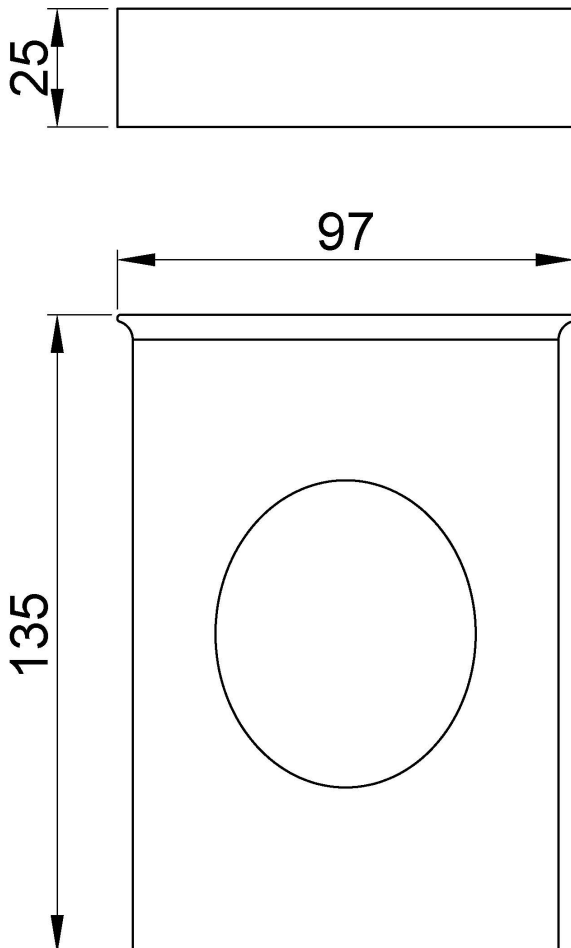
### Suggested text for prescription

NOFER hygienic bag dispenser, front dispensing. To be wall-mounted, made of AISI 304 stainless steel, polished finish.

Dimensions: 135 H x 97 W x 25 D (mm).

Capacity: 25 bags.

### Dimensional drawing





Ctra. Laureà Miró, 385-387  
08980 | Sant Feliu de Llobregat,  
Barcelona - Spain  
T. +34 934 742 423  
F. +34 934 743 548  
nofer@nofer.com  
www.nofer.com

RELATED  
PRODUCTS



04025.B



04026.2.B



04026.2.S

These specifications may be modified and/or amended due to manufacturing requirements.